

PowerView™ Model PV450



Features

- Compact CAN-based display to fit your application with freely configurable design
- Customize the bezel, buttons, I/O interface and more
- Easy-to-use PowerVision Configuration Studio™ Software.
- Bonded LCD screen viewable in direct sunlight
- Rugged / Reliable Design
- Unit available - Approved for Class I, Division 2, Groups B, C and D; Temperature Code T4

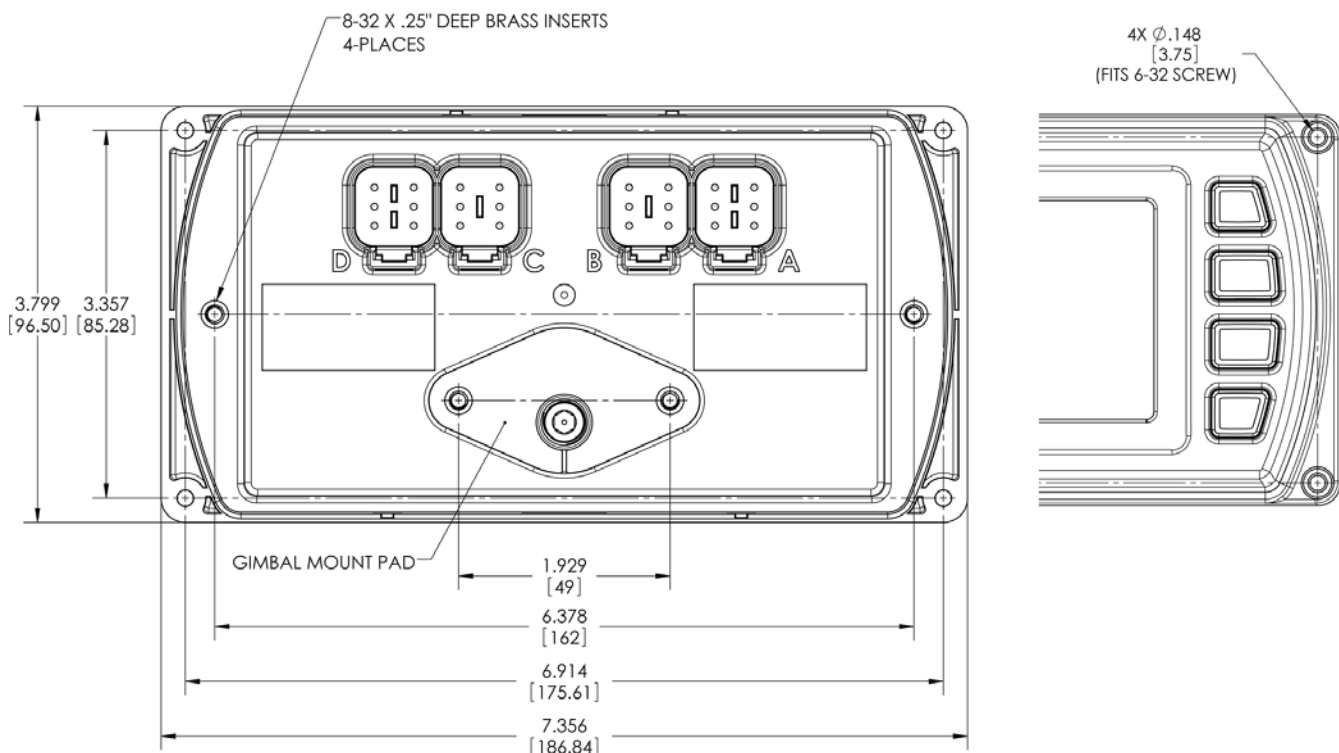
The PowerView 450 display features a freely configurable design. Any of the major components can be custom engineered to meet your exact needs. It's an incredible amount of customizing with minimal non-recurring engineering costs.

You can change the shape of the bezel and buttons. You can rework the I/O board to add extra inputs. You can add custom graphics and company branding to the interface.

The PowerView 450 display is compatible with PowerVision Configuration Studio software, so you can continue to make quick and easy changes to the display.

The PV450 display is also highly durable. See the specifications on the back of this sheet for a complete overview of its technical features.

Dimensions



General Specifications

Technical

Display: Bonded 4.3" color transmissive TFT LCD
Resolution: WQVGA, 480 x 272 pixels, 16-bit color
Aspect Ratio: 16:9
Orientation: Landscape or portrait
Backlighting: LED, 500-650 cd / m² (30,000 hr lifetime)
Microprocessor: Freescale iMX35 32bit, 532Mhz
 QNX Real-Time Operating System
Flash Memory: 256 MB (expandable to 8GB)
RAM: 128 Mbytes DDR2 SDRAM
Operating Voltage: 6-32 VDC, protected against reverse polarity and load-dump. (6-30 VDC)*
Power Consumption: 10W max. (163 mA max @ 30VDC)*
CAN: Two CAN 2.0B; optional NMEA 2000 isolation
RS-485: 1 MODBUS Master/Slave
Video input (Optional): Two NTSC/PAL input channels with one displayed at a time.
Protocols: J1939, NMEA 2000, CANopen
Connection: 4 Deutsch DT 6-pin connectors
Keyboard: 8 tactile buttons
USB 2.0 host, full speed, optional OTG support
Output: (1) Open-drain, capable of syncing 500 mA

Input: (1) Resistive, 0-5 V, or 4-20 mA (software configurable)

Real-time clock with battery backup

Environmental

Operating Temperature: -40°C to +85°C

Storage Temperature: -40°C to +85°C

Protection: IP 66 and 67, front and back.

Emissions and Immunity: Electromagnetic Compatibility: 2004/108/EC

EN 61000-6-4

EN 501121-3-2

EN 61000-6-2 (immunity)

EN 12895

J1113/2, 4, 11, 12, 21, 24, 26 and 41

Vibration: Random vibration, 7.86 Grms (5-2000 Hz), 3 axis

Shock: ± 50G in 3 axis

Specifications applicable to CSA-certified PV450 only

(CSA Certification: Class I Division 2 Groups B, C, & D; T4; IP66)


CAN: Two CAN 2.0B

Protocols: J1939 and CANopen

Environmental Protection: IP66

Additional Options

LCD Touchscreen (projected capacitance) capability

How to Order		
Part No.	Model Number	Description
78-70-0436	PV450, MSTD W/O VIDEO	PV450 without Video (MSTD)
78-70-0538	PV450, J1939,NMEA, VIDEO, 485	PV450 with Video (NMEA)
78-70-0515	PV450, MSTD W/VIDEO	PV450 with Video (MSTD)
	Certified PV450 (Class I Division 2 Groups B, C and D; Temperature Code T4; IP66)	
78-70-0543	PV450-01-CSA	PV450 with Video (cCSAus)
78-70-0544	PV450NV-01-CSA	PV450 without Video (cCSAus)
Accessories		
78-00-0831	VISOR KIT, PV450	PV450 Visor Kit
78-00-0814	KIT, MOUNTING PLUG, PV450	PV450/PV750 Mounting Plug Kit

FW MURPHY

P.O. Box 470248
 Tulsa, Oklahoma 74147 USA
 Phone: +1 918 317 4100 Fax: +1 918 317 4266
 E-mail: sales@fwmurphy.com

INDUSTRIAL PANEL DIVISION

Fax: +1 918 317 4124
 E-mail: ipdsales@fwmurphy.com

MURPHY POWER IGNITION

Web site: www.murphy-pi.com

CONTROL SYSTEMS & SERVICES DIVISION

P.O. Box 1819
 Rosenberg, Texas 77471 USA
 Phone: +1 281 633 4500 Fax: +1 281 633 4588
 E-mail: css-solutions@fwmurphy.com

FRANK W. MURPHY LTD.

Church Road, Laverstock
 Salisbury, SP1 1GZ, UK
 Phone: +44 1722 410055 Fax: +44 1722 410088
 E-mail: sales@fwmurphy.co.uk
 Web site: www.fwmurphy.co.uk

FW MURPHY INSTRUMENTS (HANGZHOU) CO., LTD.

77 23rd Street
 Hangzhou Economic & Technological Development Area
 Hangzhou, Zhejiang, 310018, China
 Phone: +86 571 8788 6060 Fax: +86 571 8684 8878
 E-mail: apsales@fwmurphy.com



COMPUTRONIC CONTROLS

41 - 46 Railway Terrace
 Nechells, Birmingham, B7 5NG, UK
 E-mail: sales@computroniccontrols.com
 Web site: www.computroniccontrols.com



www.fwmurphy.com

05/05/2011

Warranty - A limited warranty on materials and workmanship is given with this FW Murphy product.
 A copy of the warranty may be viewed or printed by going to <http://www.fwmurphy.com/warranty>