

Time Switch

24T: 24 Hour



FEATURES:

- Two Versions Available: with or less case.
- Sends a signal after the selected timer expires that can be used to start/stop the equipment.
- Hour Switch for Setting Run Time and Shutdown of Equipment
- Precision Movement Can Be Set to Zero at Any Time
- Low Battery Warning a RED Blinking Light (4 AA Batteries not included)
- NEMA 4 Weather-Proof Enclosure (NON LC)
- 0-24 Hours in 30 minute intervals

ACCURATE, LONG-TERM SERVICE

Set Run Time and Shutdown of Equipment with Precision

The MurCal Time Switch can start or stop engines or electrical motors after a predetermined time. These can be wired for an open or closed circuit when time expires. They require no electrical current to operate and have an SPDT contact arrangement. Each switch features a precision movement that gives years of reliable service. A built-in stop prevents over-winding.

The switch is enclosed in a NEMA 4 weatherproof enclosure. A hinged, gasketed cover and 1/2 NPT conduit connection allow for dust-tight installation. The enclosure includes a clasp and eye for padlock to prevent unauthorized operation. Instructions for popular engine applications are secured inside the lid.

The MurCal Time Switch is designed for use in the oil field, irrigation systems or anywhere equipment must operate or be controlled for a predetermined time. Mounted on a post or in a panel away from vibration and shock, the time switch will provide accurate, long term service.

24T Range: 0-24 hours in 30 minute intervals.



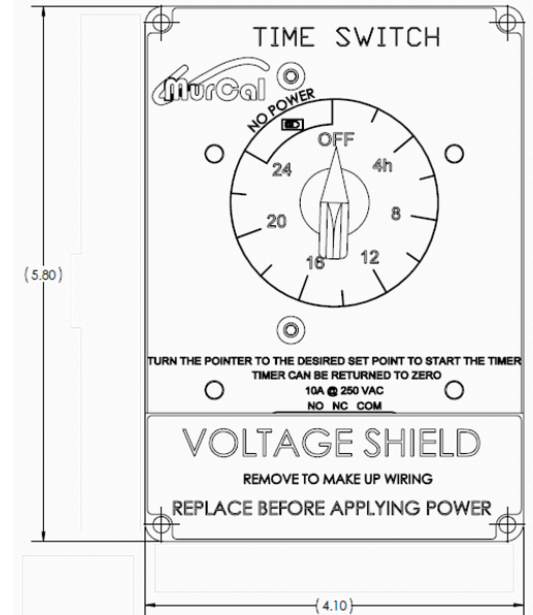
INSTALLATION



- Disconnect all electrical power to the machine.
- Ensure the machine cannot operate during installation.
- Read and follow all installation instructions.
- Follow all safety warnings of the machine manufacturer.
- This timer is intended to be mounted in waterproof box included at the implementation site.
- This timer is not fused. Overcurrent protection must be supplied from another source.

MOUNTING TIMER TO A PANEL

1. Ensure power is turned off.
2. While holding the front of the timer, snug the 4 installation screws. Do not over tighten.
3. Install the 4 AA batteries.



BASIC WIRING

1. Determine if the load is normally Open or Normally Closed. If this is a replacement unit, note the wiring of the previous timer.
 - Normally closed: the load circuit is shut off by closing the connection.
 - Normally open: the load circuit shuts off by opening the connection.
2. To wire for Normally Closed, wire the external load in series, with the NC and COM connections on the timer unit.
3. To wire for Normally Open, Wire the external load in series, with the NO and COM connections on the timer unit.
4. Install the Voltage shield faceplate.

SETTING THE TIMER

1. With power turned on, manually turn timer knob past the required setting.
2. Test the Timer: To ensure the wiring is correct and you are getting the desired results, test the implementation of the timer before deploying.
3. Manual Reset: The unit does not require a reset. Simply reset the time to use another timing interval.
4. This unit requires 4 AA batteries (1.5) (not included). A blinking red LED on the unit indicates it is time to change the batteries.

Time Switch

24T: 24 HOUR



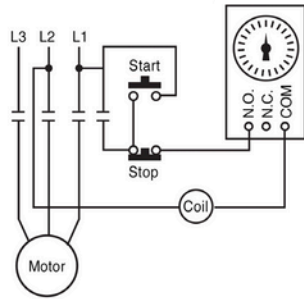
TYPICAL WIRING DIAGRAMS

WARNING

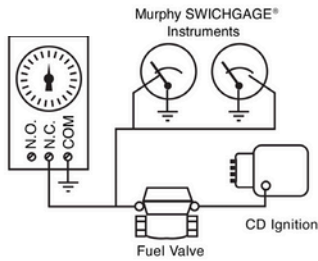
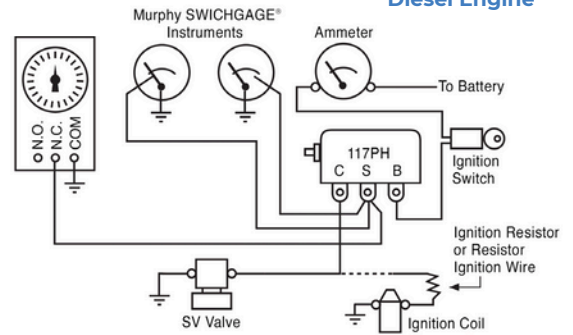
Before beginning installation of this MurCal product:

- ✓ Disconnect all electrical power to the machine.
- ✓ Make sure the machine cannot operate during installation.
- ✓ Follow all safety warnings of the machine manufacturer.
- ✓ Read and follow all installation instructions.

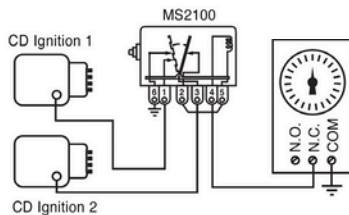
Electric Motor



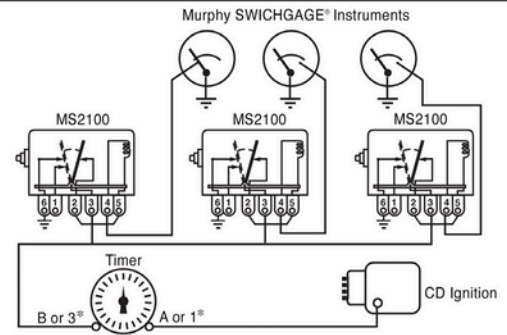
Diesel Engine



Fuel Valve and CD Ignition



Dual CD Ignition



SWICHGAGE® Circuit Disconnect

PRODUCT SPECIFICATIONS

SPECIFICATIONS AND DESIGNS ARE SUBJECT TO CHANGE WITHOUT NOTICE.

EXPECTED OPERATING HOURS

Battery Life	5520 Hours
Battery Cycles	230

OPERATING TEMP.

RANGE	32°F to 185°F (0°C to 85°C)
-------	-----------------------------

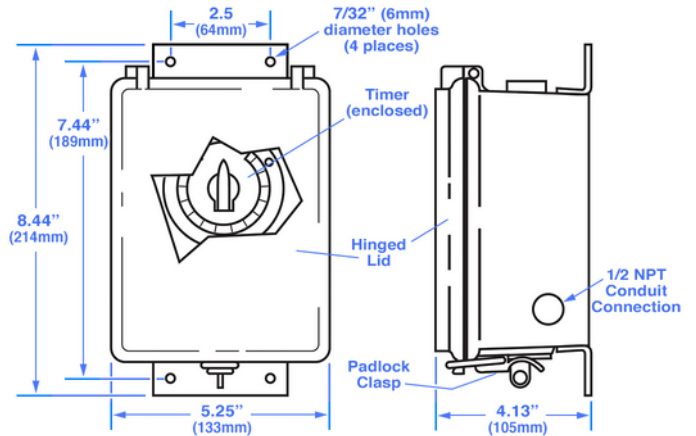
CONTACT & HUMIDITY

CONTACT	SPDT, rated 10A @ 240 VAC; 15A @ 48VDC
HUMIDITY	38C @ 97% relative per SAE J1455

SHIPPING

WEIGHT	24T: 4.5 lb. (2.04 kg) - 24T-LC: 0.462 lb (0.2 kg)
DIMENSIONS	24T: 10" x 6" x 6" (254mm x 152mm x 152mm)

DIMENSIONS



WARNING: This product can expose you to chemicals including lead, which is known to the State of California to cause cancer. For more information, go to www.P65Warnings.ca.gov.

PRODUCT ORDER NUMBERS

20000250	24T-LC: 24 Hour Time Switch - Less Case
20700037	24T: 24 Hour Time Switch